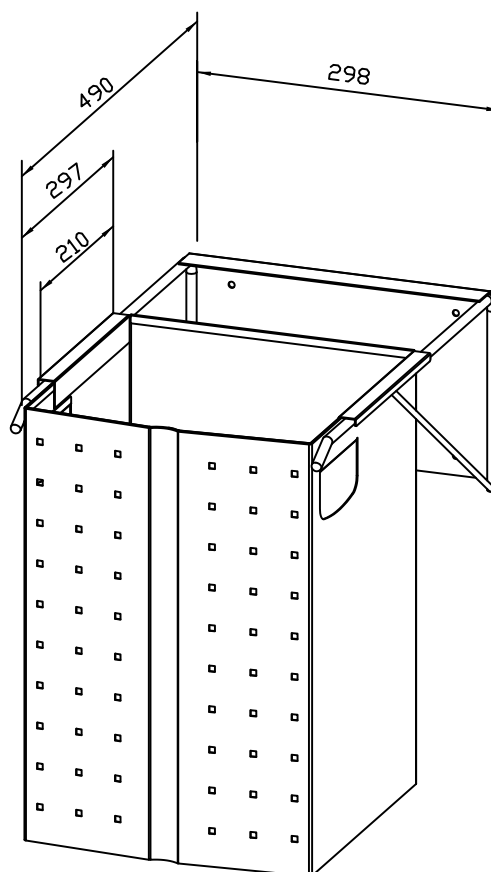


Waste bin, perforated in stainless steel



- Full metal housing in robust, easy-to-clean stainless steel AISI 304, satin finished.
- Capacity approx. 35 litres.
- Tapered front with vertical curved recess and 6mm-square perforations.
- Waste deposited into top through waste disposal ring or flap.
- Simple mounting: fasten wall bracket with 4 screws.
- Also available without perforations if desired.

Suggested text for specifications:

Waste bin in stainless steel AISI 304, for under-counter mounting, satin finished. Tapered front with vertical curved recess and 6-mm-square perforations. Capacity approx. 35 litres.

Dimensions 298 x 448 x 297 mm; includes wall bracket and mounting components.

Article No. L 188

Ernst Wagner GmbH & Co. KG

Ernst-Abbe-Straße 21 · D - 72770 Reutlingen
Tel. +497121 51539-0 · Fax: +49 7121 51539-22
info@wagner-ewar.de · www.wagner-ewar.de

Related
Products



L 190



WP 139



WP 198